

“EUROMODEL” WINGNUTS



 **ROLLMEX**

ART. L803

“EUROMODEL” WINGNUT WITH THREADED THROUGH INSERT

**PROTECTED
MODEL**

MATERIAL:

Reinforced polyamide.
Oils and greases resistant.

SURFACE:

Satin.

COLOUR:

Black (RAL 9011).

CENTRAL CAP:

Grey ABS (RAL 7035 code 13).

ALTERNATIVE CAP COLOUR:

Orange (RAL 2004 cod. 02).
Blue (RAL 5015 cod. 07).
Yellow (RAL 1021 cod. 10).
Red (RAL 3000 cod. 16).
Green (RAL 6024 cod. 17).
Black (RAL 9011 cod. 01).

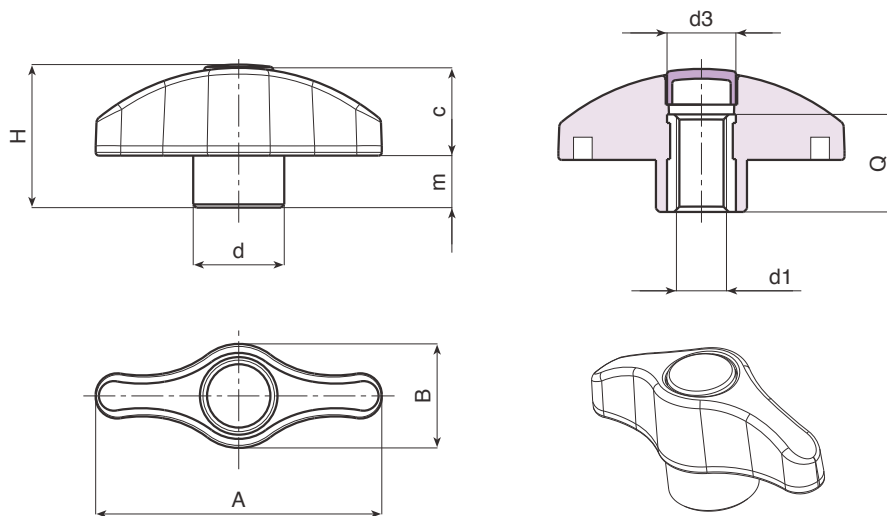
MAIN INSERT:

Brass right through threaded bush.



SPECIAL REQUESTS:

- It is possible to supply the inserts in different materials, on request and for quantities.
- It is possible to supply the wingnuts with colours as shown in the table at page 19 (L family), on request and for quantities.



Art.	A	B	H	m	c	d	d3	d1	Q	Weight (gr)
L80344.TM050113	44	16	22	8	14	14	10	M05	15	10
L80344.TM060113	44	16	22	8	14	14	10	M06	15	10
L80344.TM080113	44	16	22	8	14	14	10	M08	15	11
L80352.TM050113	52	19	26	9,5	16,5	17	13	M05	18	15
L80352.TM060113	52	19	26	9,5	16,5	17	13	M06	18	15
L80352.TM080113	52	19	26	9,5	16,5	17	13	M08	18	16
L80352.TM100113	52	19	26	9,5	16,5	17	13	M10	18	16
L80367.TM060113	67	24	32,5	11	21,5	21	16	M06	18	26
L80367.TM080113	67	24	32,5	11	21,5	21	16	M08	18	26
L80367.TM100113	67	24	32,5	11	21,5	21	16	M10	18	27
L80367.TM120113	67	24	32,5	11	21,5	21	16	M12	18	27

**L – EUROMO-
DEL WINGNUTS**

ROLLMEX

ART. L806

“EUROMODEL” WINGNUT WITH THREADED THROUGH INSERT WITHOUT CAP

PROTECTED MODEL

MATERIAL:

Reinforced polyamide.
Oils and greases resistant.

SURFACE:

Satin.

COLOUR:

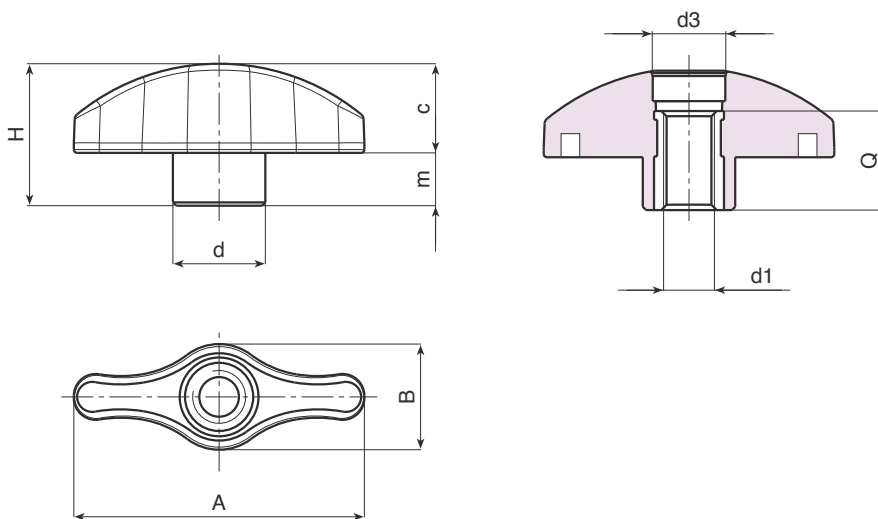
Black (RAL 9011).

MAIN INSERT:

Brass right through threaded bush.

SPECIAL REQUESTS:

- It is possible to supply the inserts in different materials, on request and for quantities.
- It is possible to supply the wingnuts with colours as shown in the table at page 19 (L family), on request and for quantities.



Art.	A	B	H	m	c	d	d3	d1	Q	Weight (gr)
L80644.TM0501	44	16	21,5	8	14	14	10	M05	15	9
L80644.TM0601	44	16	21,5	8	14	14	10	M06	15	9
L80644.TM0801	44	16	21,5	8	14	14	10	M08	15	10
L80652.TM0501	52	19	25,5	9,5	16,5	17	13	M05	18	14
L80652.TM0601	52	19	25,5	9,5	16,5	17	13	M06	18	15
L80652.TM0801	52	19	25,5	9,5	16,5	17	13	M08	18	16
L80652.TM1001	52	19	25,5	9,5	16,5	17	13	M10	18	16
L80667.TM0601	67	24	32	11	21,5	21	16	M06	18	25
L80667.TM0801	67	24	32	11	21,5	21	16	M08	18	25
L80667.TM1001	67	24	32	11	21,5	21	16	M10	18	26
L80667.TM1201	67	24	32	11	21,5	21	16	M12	18	26

ART. L804

“EUROMODEL” WINGNUT WITH THREADED STUD

MATERIAL:

Reinforced polyamide.
Oils and greases resistant.

SURFACE:

Satin.

COLOUR:

Black (RAL 9011).

CENTRAL CAP:

Grey ABS (RAL 7035 code 13).

ALTERNATIVE CAP COLOUR:

Orange (RAL 2004 cod. 02).
Blue (RAL 5015 cod. 07).
Yellow (RAL 1021 cod. 10).
Red (RAL 3000 cod. 16).
Green (RAL 6024 cod. 17).
Black (RAL 9011 cod. 01).

MAIN INSERT:

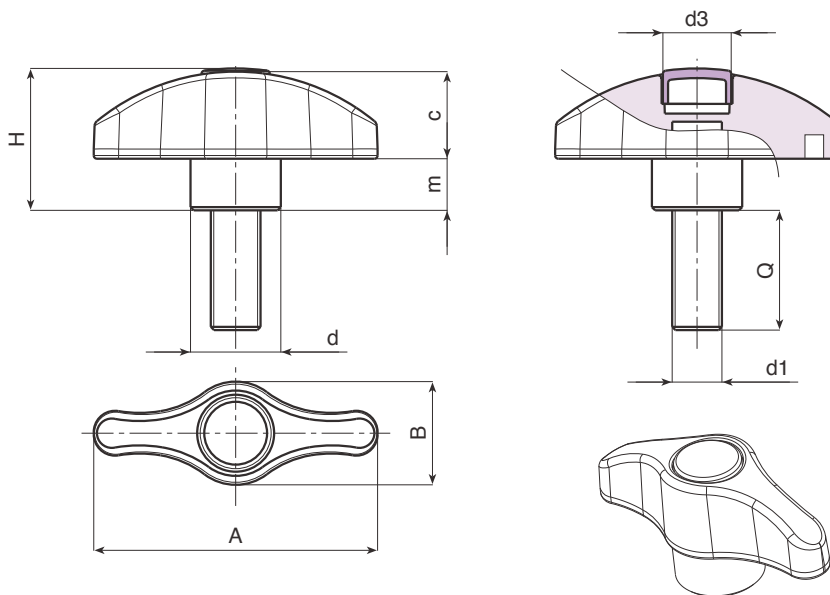
Zinc plated steel threaded stud.
Maximum mouldable length:
L807-44: 80 mm.
L807-52: 80 mm.
L807-67: 100 mm.

**PROTECTED
MODEL**



SPECIAL REQUESTS:

- It is possible to supply the inserts with different lengths, on request and for quantities.
- It is possible to supply the inserts in different materials, on request and for quantities.
- It is possible to supply the wingnuts with colours as shown in the table at page 19 (L family), on request and for quantities.



Art.	A	B	H	m	c	d	d3	d1	Q	Weight (gr)
L80444.TM05X..0113	44	16	22	8	14	14	10	M05	16-20-25-30-40-50	11-11,5-12-12,5-13,5-14,5
L80444.TM06X..0113	44	16	22	8	14	14	10	M06	16-20-25-30-40-50	12-13-14-15-16-17
L80444.TM08X..0113	44	16	22	8	14	14	10	M08	16-20-25-30-40-50	19-20,5-22-23,5-26-29
L80452.TM06X..0113	52	19	26	9,5	16,5	17	13	M06	16-20-25-30-40-50	17-18-19-20-21-22
L80452.TM08X..0113	52	19	26	9,5	16,5	17	13	M08	16-20-25-30-40-50	24-25,5-27-28,5-31-34
L80452.TM10X..0113	52	19	26	9,5	16,5	17	13	M10	20-25-30-40-50	32-35-38-42-47
L80467.TM06X..0113	67	24	32,5	11	21,5	21	16	M06	16-20-25-30-40-50	25-27-28-28,5-30-31,5
L80467.TM08X..0113	67	24	32,5	11	21,5	21	16	M08	16-20-25-30-40-50	32-33,5-35-36,5-39,5-42,5
L80467.TM10X..0113	67	24	32,5	11	21,5	21	16	M10	20-25-30-40-50-60	39,5-42-44,5-49,5-54,5-59,5
L80467.TM12X..0113	67	24	32,5	11	21,5	21	16	M12	20-25-30-40-50-60	45-49-52-59-66-73

L – EUROMO-
DEL WINGNUTS

ROLLMEX

ART. L807

“EUROMODEL” WINGNUT WITH THREADED STUD WITHOUT CAP

**PROTECTED
MODEL**

MATERIAL:

Reinforced polyamide.
Oils and greases resistant.

SURFACE:

Satin.

COLOUR:

Black (RAL 9011).

MAIN INSERT:

Zinc plated steel threaded stud.

Maximum mouldable length:

L807-44: 80 mm.

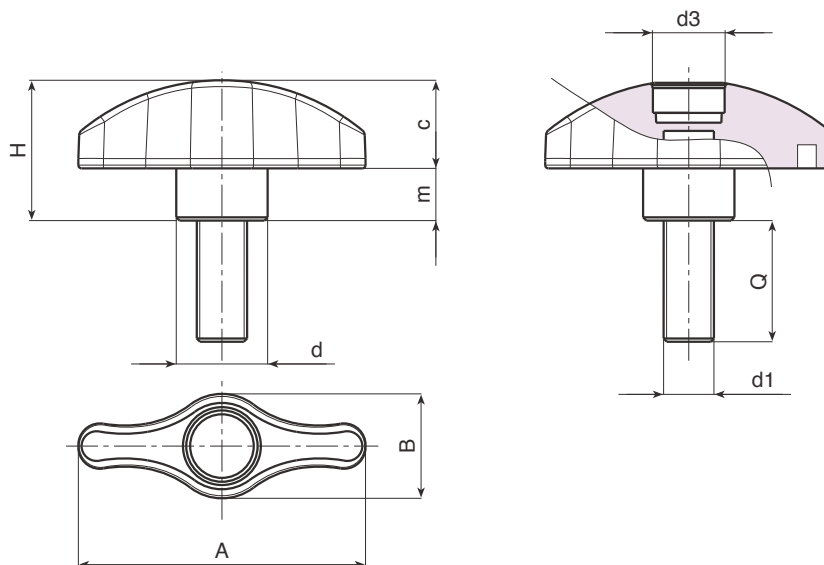
L807-52: 80 mm.

L807-67: 100 mm.



SPECIAL REQUESTS:

- It is possible to supply the inserts with different lengths, on request and for quantities.
- It is possible to supply the inserts in different materials, on request and for quantities.
- It is possible to supply the wingnuts with colours as shown in the table at page 19 (L family), on request and for quantities.



Art.	A	B	H	m	c	d	d3	d1	Q	Weight (gr)
L80744.TM05X..01	44	16	21,5	8	14	14	10	M05	16-20-25-30-40-50	10-10,5-11-11,5-12,5-13,5
L80744.TM06X..01	44	16	21,5	8	14	14	10	M06	16-20-25-30-40-50	11-12-13-14-15-16
L80744.TM08X..01	44	16	21,5	8	14	14	10	M08	16-20-25-30-40-50	18-19,5-21-22,5-25-28
L80752.TM06X..01	52	19	25,5	9,5	16,5	17	13	M06	16-20-25-30-40-50	16-17-18-19-20-21
L80752.TM08X..01	52	19	25,5	9,5	16,5	17	13	M08	16-20-25-30-40-50	23-24,5-26-27,5-30-33
L80752.TM10X..01	52	19	25,5	9,5	16,5	17	13	M10	20-25-30-40-50	31-34-37-41-46
L80767.TM06X..01	67	24	32	11	21,5	21	16	M06	16-20-25-30-40-50	24-26-27-27,5-29-30,5
L80767.TM08X..01	67	24	32	11	21,5	21	16	M08	16-20-25-30-40-50	31-32,5-34-35,5-38,5-41,5
L80767.TM10X..01	67	24	32	11	21,5	21	16	M10	20-25-30-40-50-60	38,5-41-43,5-48,5-53,5-58,5
L80767.TM12X..01	67	24	32	11	21,5	21	16	M12	20-25-30-40-50-60	44-48-51-58-65-72

ART. L805

“EUROMODEL” WINGNUT WITH SMOOTH HOLE INSERT

**PROTECTED
MODEL**

MATERIAL:

Reinforced polyamide.
Oils and greases resistant.

SURFACE:

Satin.

COLOUR:

Black (RAL 9011).

CENTRAL CAP:

Grey ABS (RAL 7035 code 13).

ALTERNATIVE CAP COLOUR:

Orange (RAL 2004 cod. 02).
Blue (RAL 5015 cod. 07).
Yellow (RAL 1021 cod. 10).
Red (RAL 3000 cod. 16).
Green (RAL 6024 cod. 17).
Black (RAL 9011 cod. 01).

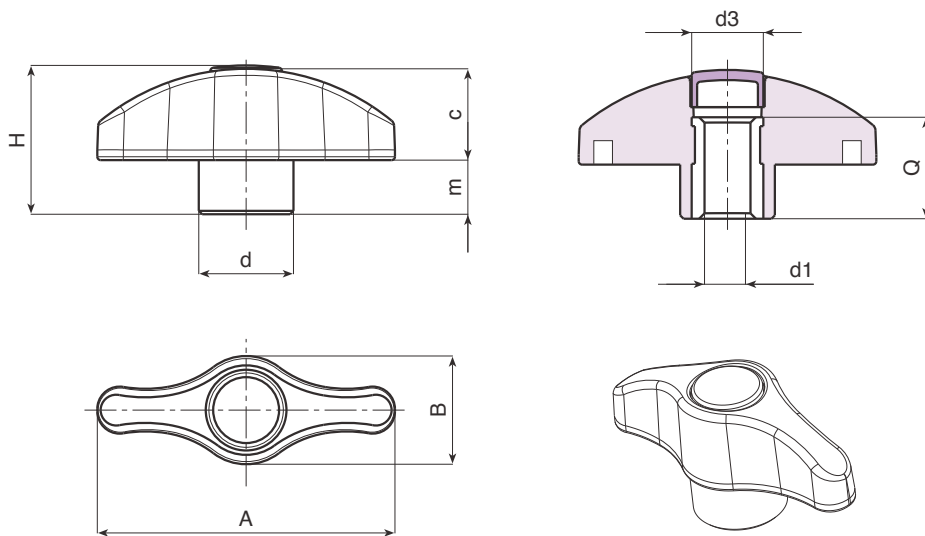
MAIN INSERT:

Brass right through bored bush with H7 tolerance.



SPECIAL REQUESTS:

- It is possible to supply the inserts in different materials, on request and for quantities.
- It is possible to supply the wingnuts with colours as shown in the table at page 19 (L family), on request and for quantities.



Art.	A	B	H	m	c	d	d3	d1	Q	Weight (gr)
L80544.TD050113	44	16	22	8	14	14	10	D05	15	9
L80544.TD060113	44	16	22	8	14	14	10	D06	15	9
L80544.TD080113	44	16	22	8	14	14	10	D08	15	10
L80552.TD050113	52	19	26	9,5	16,5	17	13	D05	18	14
L80552.TD060113	52	19	26	9,5	16,5	17	13	D06	18	14
L80552.TD080113	52	19	26	9,5	16,5	17	13	D08	18	15
L80552.TD100113	52	19	26	9,5	16,5	17	13	D10	18	16
L80567.TD060113	67	24	32,5	11	21,5	21	16	D06	18	25
L80567.TD080113	67	24	32,5	11	21,5	21	16	D08	18	25
L80567.TD100113	67	24	32,5	11	21,5	21	16	D10	18	26
L80567.TD120113	67	24	32,5	11	21,5	21	16	D12	18	26

**L – EUROMO-
DEL WINGNUTS**

ROLLMEX

ART. L808

“EUROMODEL” WINGNUT WITH SMOOTH HOLE INSERT WITHOUT CAP

PROTECTED MODEL

MATERIAL:

Reinforced polyamide.
Oils and greases resistant.

SURFACE:

Satin.

COLOUR:

Black (RAL 9011).

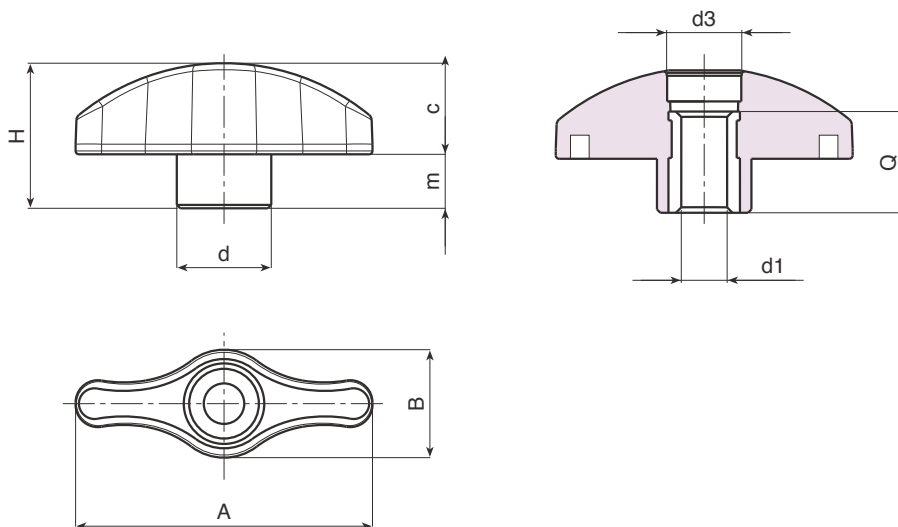
MAIN INSERT:

Brass right through bored bush with H7 tolerance.



SPECIAL REQUESTS:

- It is possible to supply the inserts in different materials, on request and for quantities.
- It is possible to supply the wingnuts with colours as shown in the table at page 19 (L family), on request and for quantities.



Art.	A	B	H	m	c	d	d3	d1	Q	Weight (gr)
L80844.TD0501	44	16	21,5	8	14	14	10	D05	15	8
L80844.TD0601	44	16	21,5	8	14	14	10	D06	15	8
L80844.TD0801	44	16	21,5	8	14	14	10	D08	15	9
L80852.TD0501	52	19	25,5	9,5	16,5	17	13	D05	18	13
L80852.TD0601	52	19	25,5	9,5	16,5	17	13	D06	18	13
L80852.TD0801	52	19	25,5	9,5	16,5	17	13	D08	18	14
L80852.TD1001	52	19	25,5	9,5	16,5	17	13	D10	18	15
L80867.TD0601	67	24	32	11	21,5	21	16	D06	18	24
L80867.TD0801	67	24	32	11	21,5	21	16	D08	18	24
L80867.TD1001	67	24	32	11	21,5	21	16	D10	18	25
L80867.TD1201	67	24	32	11	21,5	21	16	D12	18	25



WWW.ROLLMEX.FI

ROLLMEX Oy

Takojuankatu 4 - 33540 TAMPERE
Push. 010-6661122 - Fax 03-3640072
tamper@rollmex.fi

Karjalankatu 21 - 15140 LAHTI
Push. 010-6661121 - Fax 03-7511026
lahti@rollmex.fi

AUTHORISED RESELLER